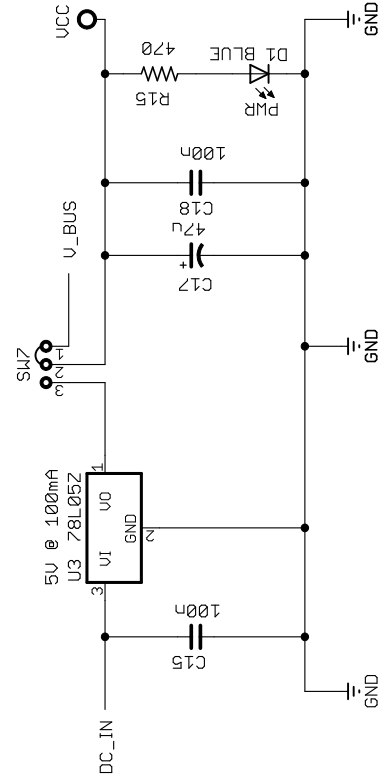
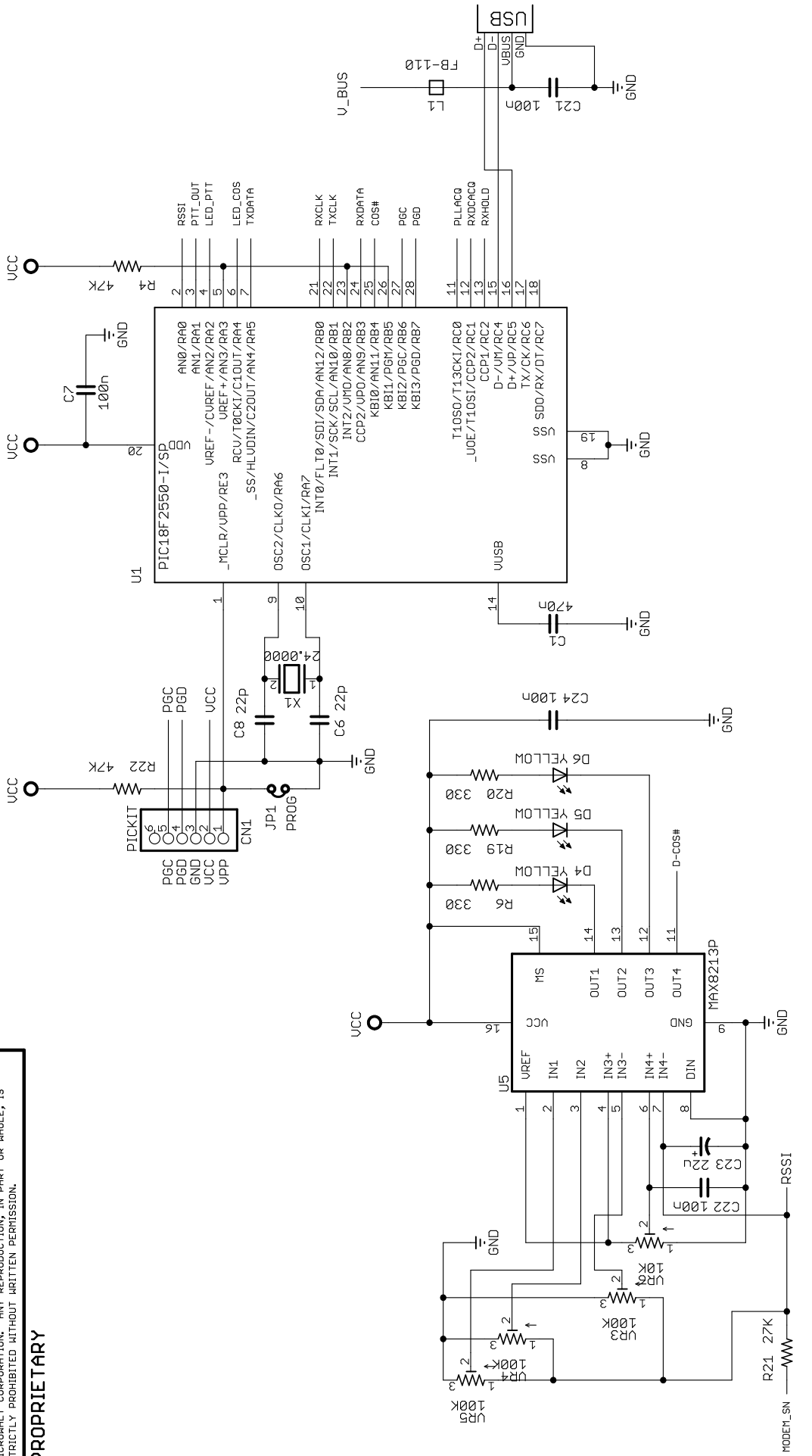


THE INFORMATION CONTAINED IN THIS DRAWING IS THE SOLE PROPERTY OF MICROMALT CORPORATION. ANY REPRODUCTION, IN PART OR WHOLE, IS STRICTLY PROHIBITED WITHOUT WRITTEN PERMISSION.

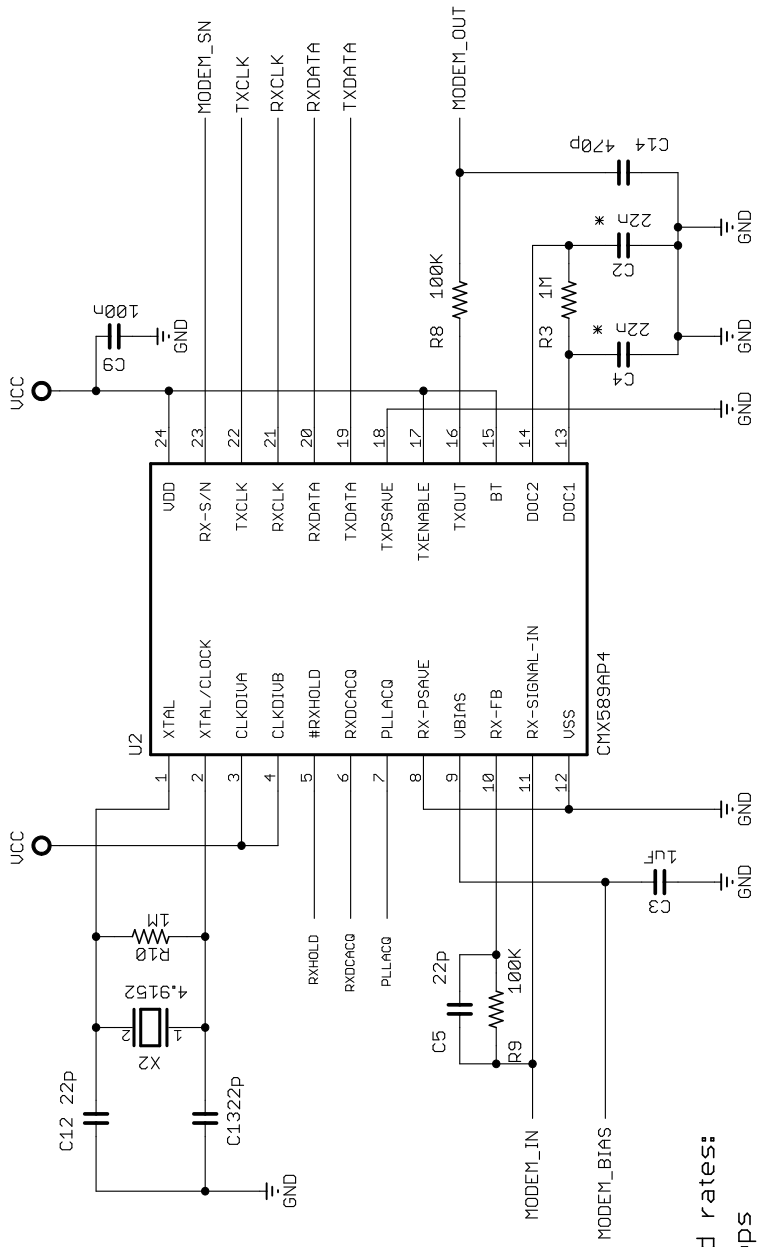
PROPRIETARY



ISSUE	MicroMalt Corporation BUSSUM The Netherlands	THIS DRAWING CONTAINS PROPRIETARY INFORMATION AND SHOULD NOT BE USED WITHOUT WRITTEN PERMISSION.	© 2008-2011
DRAWN	FvK	TITLE	REV
CHECKED		DUTCH*Star Mini HotSpot	C
DATE		DRG N°	
		DATE	
		10-8-2011 17:42:37	
		FILE: mini-hs	
		PAGE: 1/4	

THE INFORMATION CONTAINED IN THIS DRAWING IS THE SOLE PROPERTY OF MICROHALT CORPORATION. ANY REPRODUCTION, IN PART OR WHOLE, IS STRICTLY PROHIBITED WITHOUT WRITTEN PERMISSION.

PROPRIETARY



*** Supported rates:**

- 4800 bps
- 9600 bps
- 19200 bps
- 38400 bps

using the 4.9152MHz XTAL. R9/C5 filter unchanged.

*** Charge pump C2/C4 changes with data rate.**

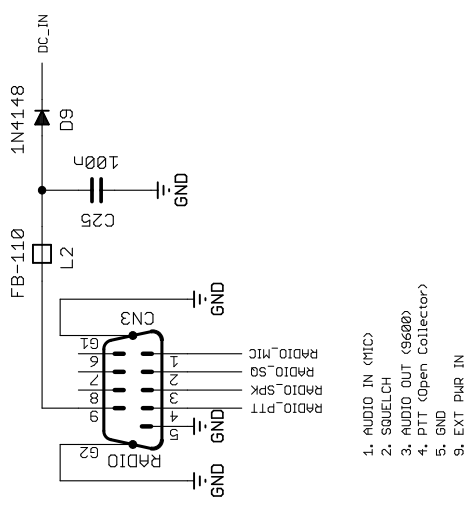
speed	C2/4	R8	C14
4800	27n	100K	470p
9600	12n	47K	470p
19200	6n8	91K	120p
38400	3n3	47K	120p
64000	1n8	51K	68p
128000	860p	82K	22p

- * C2/C4 use 27nF if available, otherwise 22nF
- * Resistors and capacitors as per datasheet tables for speed of 4.8Kbps and xtal of 4.9152MHz
- * BT fixed to 0.5
- * R3 only needed if syncing problems occur.

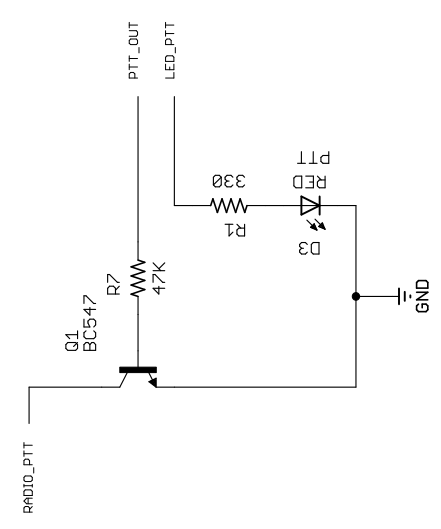
ISSUE	MicroHalt Corporation BUSSUM The Netherlands	THIS DRAWING CONTAINS PROPRIETARY INFORMATION AND SHOULD NOT BE USED WITHOUT WRITTEN PERMISSION.	© 2008-2011
DRAWN	FvK	TITLE	REV
CHECKED		DUTCH*Star Mini HotSpot CMX Modem Chip	C
DATE		DATE	DRG No
		10-8-2011 17:42:37	
		FILE: mini-hs	PAGE: 2/4

THE INFORMATION CONTAINED IN THIS DRAWING IS THE SOLE PROPERTY OF MICROMALT CORPORATION. ANY REPRODUCTION, IN PART OR WHOLE, IS STRICTLY PROHIBITED WITHOUT WRITTEN PERMISSION.

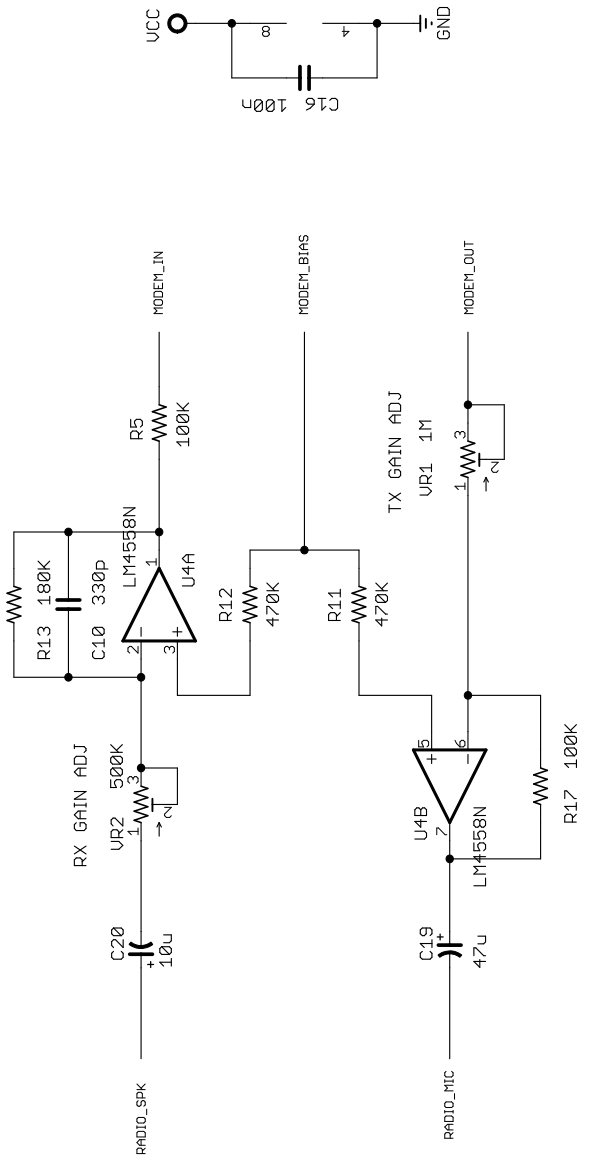
PROPRIETARY



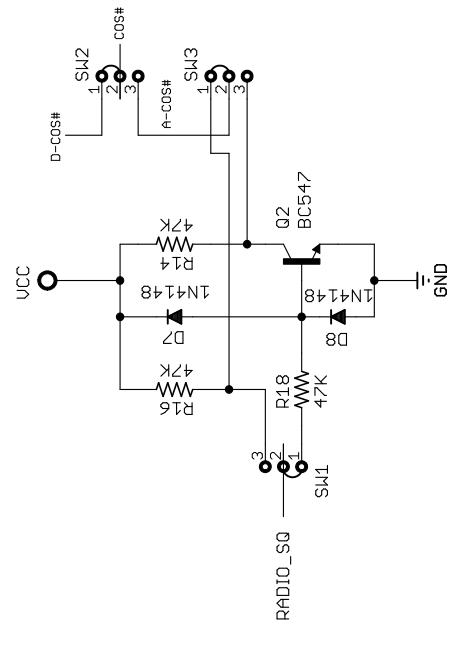
Radio Interface Connector



Radio Interface PTT Control



Radio Interface Analog Frontend



Radio Interface COS Control

ISSUE	MicroMalt Corporation BUSSUM The Netherlands	THIS DRAWING CONTAINS PROPRIETARY INFORMATION AND SHOULD NOT BE USED WITHOUT WRITTEN PERMISSION.	© 2008-2011
DRAWN	FvK	TITLE	DUTCH*Star Mini HotSpot
CHECKED		DATE	10-8-2011 17:42:37
DATE		DRG No	
		REV	C
		FILE:	mini-hs
		PAGE:	3/4

Revision History

- * LED series resistors changed from 2.2K to 330R and 390R (blue)
- * XTAL capacitors changed from 18p to 22p for better stability
- * Diode D5 reversed
- * Q2 changed from 2N7000 to BC547; on PCB in reverse placement
- * RX and TX labels near VR1 and VR2 are swapped!
- * RESET disconnected; resistor R17 removed!
- * R11 and R12 changed from 180K to 470K
- * Jumper SW5 removed (not needed)
- * Changed R15 from 390 to 470.
- * Added jumper SW2 for the D-COS circuit.
- * Added the D-COS circuit; renamed old COS to A-COS.
- * Renamed COS signal to COS#
- * Re-added RST/PROG jumper (JP1) and resistor (R22).
- * Changed all VRs from PT10 to CT6 as Piher dropped the PT10.
- * General layout cleanup with extra space from VRs.
- * Changed VR's again, now to ACP CA6U types.

ISSUE	MicroHalt Corporation BUSSUM The Netherlands	THIS DRAWING CONTAINS PROPRIETARY INFORMATION AND SHOULD NOT BE USED WITHOUT WRITTEN PERMISSION.	© 2008-2011
DRAWN FvK	TITLE DUTCH*Star Revision History	HotSpot	REV C
CHECKED	DATE 10-8-2011 17:42:37	DRG No	
DATE	FILE: mini-hs		PAGE: 4/4